

# マルチアイボルト

MULTI EYE BOLT

## ME・HBM(ハイブリッド)



**HBM3630**  
(ハイブリッド)

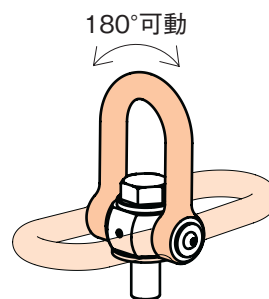
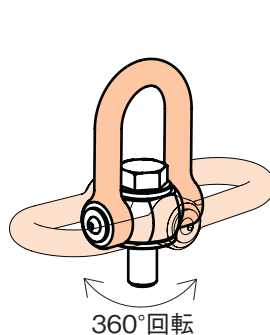
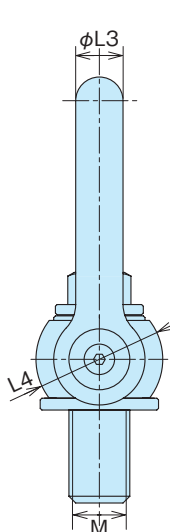
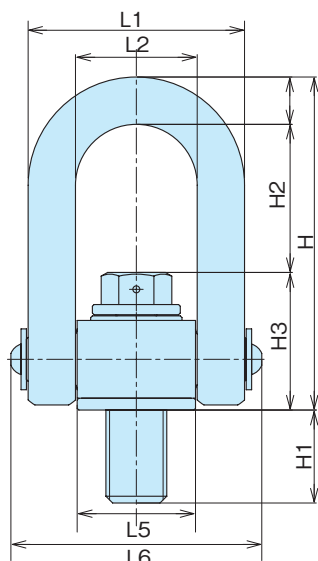


**ME3028C**

- 特 徴**  
Feature
- 横吊り、斜め吊り、引き起こし作業時にも安全に使用できます。
  - 重量物の吊り上げ軸に対して360度回転し、吊り上げ方向に対しても180度回転します。
  - JISアイボルトの使用荷重の約3倍の使用が可能。
  - HBM品番はハイブリッドタイプで、小型化され、使いやすく、作業効率をさらにUPさせます。
- It can be safely used for horizontal suspension, diagonal suspension, and lifting work.
- Rotates 360 degrees with respect to the lifting axis of heavy objects and also rotates 180 degrees with respect to the lifting direction.
- Approximately three times the working load of JIS eyebolts can be used.
- The HBM part number is a hybrid type that is compact, easy to use, and improves work efficiency.

- 材 質** ●クロムモリブデン鋼 (SCM435)
- 用 途** ●金型、土木、建築、造船、精密・工作機械、運搬業などの重量物の吊り下げ等。

- Material** ●Chrome molybdenum steel (SCM435)
- Specific Use** ●Suspension of heavy objects such as molds, civil engineering, construction, shipbuilding, precision/machine tools, and transportation.



| 品番<br>Product No. | 使用荷重Ton (KN) | 取付けボルトM | L1  | L2  | φL3 | L4  | L5  | L6  | H   | H1 | H2  | H3  | ボルト締付トルクの目安(kgf.m) | 自重(kg)<br>Weight | 単 価<br>Price |
|-------------------|--------------|---------|-----|-----|-----|-----|-----|-----|-----|----|-----|-----|--------------------|------------------|--------------|
| ME0808C           | 0.3(2.94)    | M8      | 41  | 25  | 8   | 28  | 24  | 50  | 71  | 11 | 33  | 30  | 0.8~1.5            | 0.18             | ¥9,000       |
| ME1008C           | 0.5(4.90)    | M10     | 41  | 25  | 8   | 28  | 24  | 50  | 71  | 16 | 32  | 31  | 1.0~2.5            | 0.19             | ¥9,700       |
| ME1210C           | 0.8(7.85)    | M12     | 50  | 30  | 10  | 32  | 29  | 62  | 88  | 21 | 40  | 38  | 1.5~4.0            | 0.35             | ¥10,800      |
| ME1414C           | 1.2(11.77)   | M14     | 65  | 37  | 14  | 42  | 36  | 79  | 109 | 27 | 47  | 48  | 4.0~10.0           | 0.72             | ¥16,500      |
| ME1614C           | 1.6(15.69)   | M16     | 65  | 37  | 14  | 42  | 36  | 79  | 109 | 27 | 47  | 48  | 4.0~10.0           | 0.75             | ¥12,600      |
| ME1818C           | 1.8(17.65)   | M18     | 83  | 47  | 18  | 50  | 45  | 100 | 135 | 31 | 60  | 57  | 7.0~15.0           | 1.32             | ¥22,000      |
| ME2018C           | 2.5(24.52)   | M20     | 83  | 47  | 18  | 50  | 45  | 100 | 135 | 31 | 60  | 57  | 7.0~15.0           | 1.38             | ¥16,500      |
| ME2222C           | 3.1(30.40)   | M22     | 102 | 58  | 22  | 60  | 56  | 121 | 157 | 37 | 72  | 63  | 10.0~25.0          | 2.31             | ¥27,300      |
| ME2422C           | 3.6(35.30)   | M24     | 102 | 58  | 22  | 60  | 56  | 121 | 157 | 37 | 72  | 63  | 10.0~25.0          | 2.38             | ¥20,500      |
| ME2728C           | 4.8(47.07)   | M27     | 128 | 72  | 28  | 75  | 70  | 150 | 197 | 50 | 90  | 79  | 12.0~35.0          | 4.70             | ¥39,600      |
| ME3028C           | 5.8(56.87)   | M30     | 128 | 72  | 28  | 75  | 70  | 150 | 197 | 50 | 90  | 79  | 12.0~35.0          | 4.90             | ¥28,600      |
| ME3632C           | 8.0(78.45)   | M36     | 154 | 90  | 32  | 90  | 85  | 176 | 235 | 57 | 112 | 91  | 15.0~50.0          | 7.60             | ¥38,500      |
| ME4236C           | 10.0(98.06)  | M42     | 176 | 104 | 36  | 105 | 100 | 200 | 275 | 67 | 130 | 109 | 18.0~60.0          | 11.80            | ¥63,800      |
| ME4842C           | 15.0(147.00) | M48     | 200 | 116 | 42  | 120 | 110 | 226 | 309 | 73 | 140 | 127 | 30.0~80.0          | 18.20            | ¥130,700     |
| HBM2416           | 2.0(19.6)    | M24     | 65  | 37  | 14  | 42  | 36  | 79  | 109 | 35 | 45  | 50  | 10.0~25.0          | 0.83             | ¥16,400      |
| HBM2420           | 2.8(27.4)    | M24     | 83  | 47  | 18  | 50  | 45  | 100 | 135 | 35 | 58  | 59  | 10.0~25.0          | 1.42             | ¥20,200      |
| HBM3020           | 3.2(31.8)    | M30     | 83  | 47  | 18  | 50  | 45  | 100 | 135 | 45 | 58  | 59  | 12.0~35.0          | 1.52             | ¥21,800      |
| HBM3024           | 4.2(41.2)    | M30     | 102 | 58  | 22  | 60  | 56  | 120 | 157 | 45 | 68  | 67  | 12.0~35.0          | 2.46             | ¥25,500      |
| HBM3624           | 4.6(45.9)    | M36     | 102 | 58  | 22  | 60  | 56  | 120 | 157 | 55 | 68  | 67  | 15.0~50.0          | 2.63             | ¥29,100      |
| HBM3630           | 6.5(63.7)    | M36     | 128 | 72  | 28  | 75  | 70  | 150 | 197 | 55 | 88  | 81  | 15.0~50.0          | 4.91             | ¥35,200      |
| HBM4230           | 7.0(68.6)    | M42     | 128 | 72  | 28  | 75  | 70  | 150 | 197 | 65 | 88  | 81  | 18.0~60.0          | 5.14             | ¥46,200      |
| HBM4236           | 8.5(83.3)    | M42     | 154 | 90  | 32  | 90  | 85  | 176 | 235 | 65 | 109 | 94  | 18.0~60.0          | 7.76             | ¥56,100      |
| HBM4836           | 9.0(88.2)    | M48     | 154 | 90  | 32  | 90  | 85  | 176 | 235 | 70 | 109 | 94  | 30.0~80.0          | 8.00             | ¥78,700      |
| HBM4842           | 12.0(117.7)  | M48     | 176 | 104 | 36  | 105 | 100 | 200 | 275 | 70 | 126 | 113 | 30.0~80.0          | 11.90            | ¥105,600     |
| HBM6448           | 20.0(196.0)  | M64     | 200 | 116 | 42  | 120 | 110 | 226 | 309 | 90 | 133 | 134 | 30.0~80.0          | 18.70            | ¥169,400     |

※使用荷重とは、1個のマルチアイボルトに負荷することが許容できる静動荷重のことです。