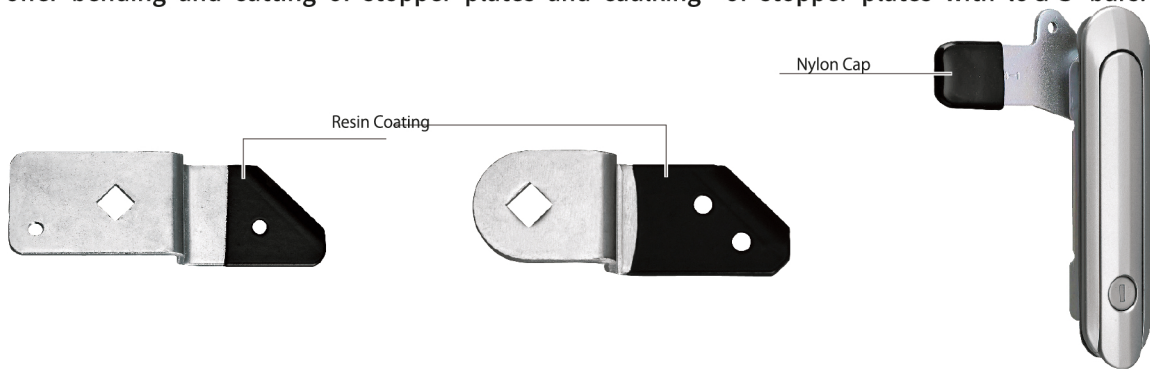


## STOPPER PLATE PROCESSING EXAMPLE

Various stopper plates can be capped and coated upon request.

Please contact us for processing details.

We also offer bending and cutting of stopper plates and caulking of stopper plates with lod s bars.

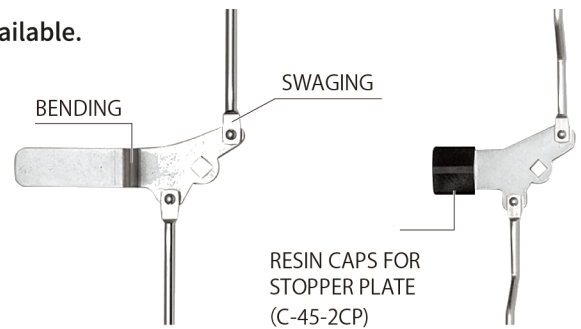


## GUIDANCE OF SET PRODUCT (STOPPER PLATE AND RODS BAR)

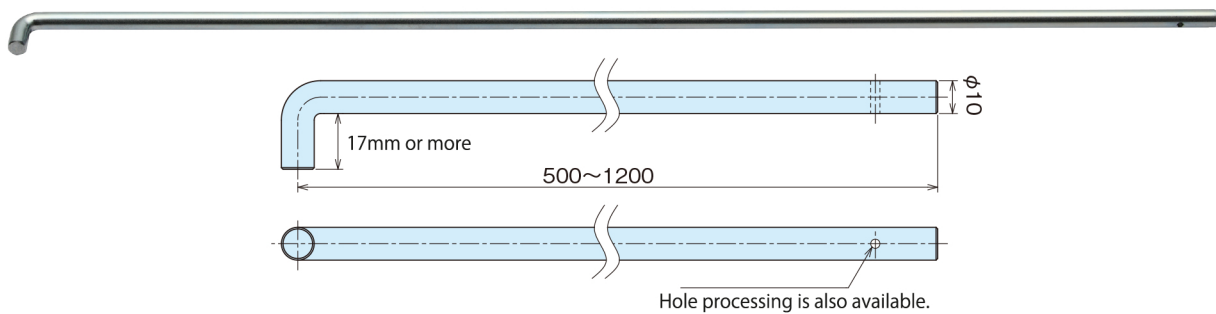
The standard stopper plates are also available according to your designated bending and cutting.

And set product of rods bar/stopper plate with rivet is also available.

Available in the short delivery times, please contact us.



## INFORMATION ON BEND PROCESSING OF A RODS BAR



Also available upon your request such as bending processing and drilling of the rods bar.

Other various types of processing are also available with many molds and jigs.

It is possible to correspond. Please contact us.

BENDING



DRILLING

